

LED WALL PACK (First Gen.)

Product Picture



Product certificate



IP65

Note: Not all of the products indicated in this specification are DLC premium qualified, please refer to <https://www.designlights.org/searcher> for more details.

Product Features

1. Patent design, with DUPON power painting process for anti-cracking
2. Input voltage from 100-480Vac
3. Isolated driver
4. PF higher to 0.95 above
5. PC/glass material cover, 110° beam angle
6. IP65 and wet location
7. Die-cast aluminum heat-sink with aerodynamic design, excellent heat distribution
8. Stainless bolt, screw, and surface coated with powder treatment
9. Photocell sensor and surge protector for optional
10. Different housing color for black/white/brown/yellow and OEM
11. Working temperature:-40-+50°C

LED WALL PACK (First Gen.)

Data Sheet

Typical Power (W)	Dimension (L*W*H)(mm)	Input Voltage (V)	CRI (Ra)	LED Chip	CCT (K)	Beam angle /Optics (Degree)	Light Efficacy (Lm/w)	Light Output (Lumen)
40	368*233*254	AC120-277	80	2835	3000	110	130-135	5200-5400lm
55		AC120-347			4000			7150-7425lm
62		AC277-480			5000			8060-8370lm
80					5700			10400-10800lm
90								11700-12150lm
100								13000-13500lm
120								15000-15600lm

LED Chip

Type of chip	Input voltage(V)	Input current(A)	Power(W)	Lumen(LM)
2835	3.4	0.15	0.5	63-73

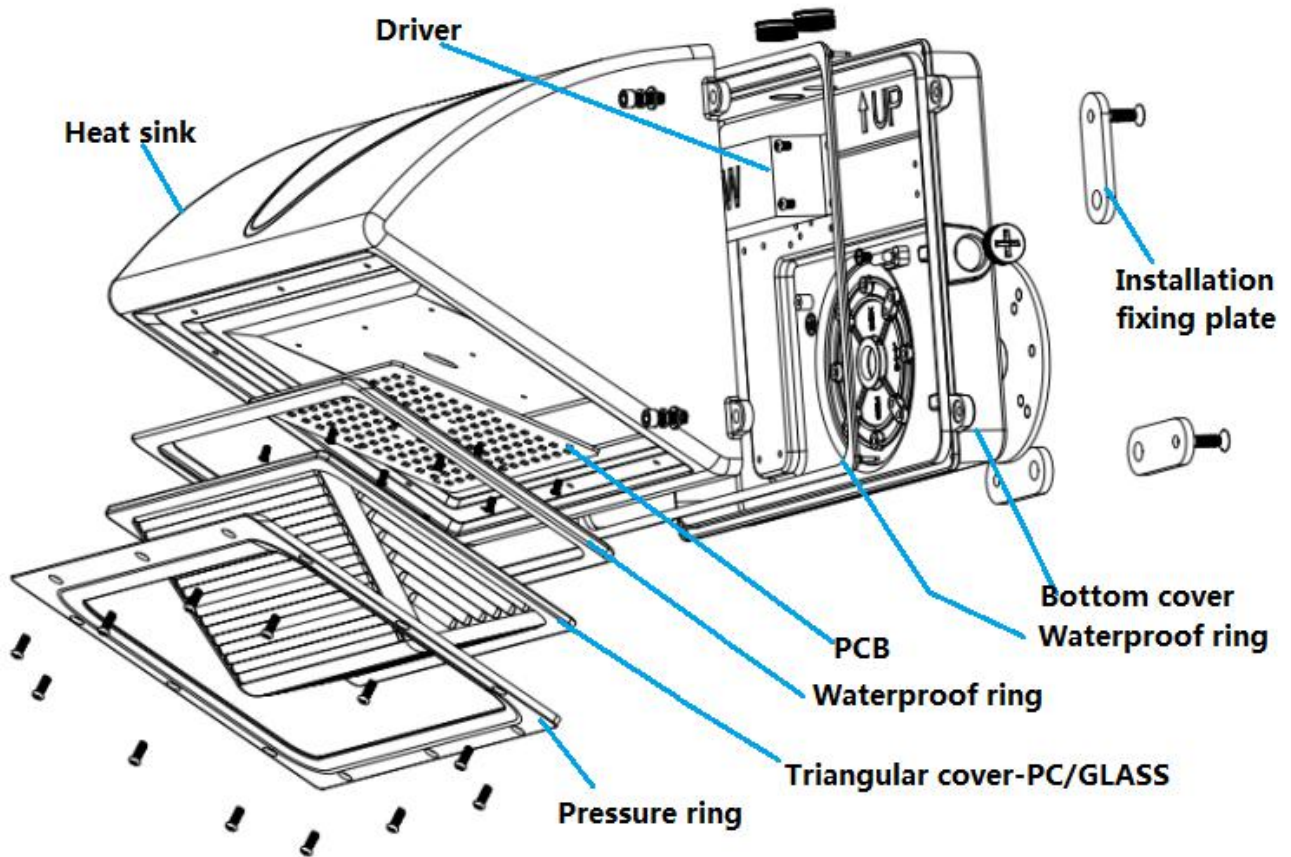
Model Code/ordering information

Model: HG-WPHx-yABzCDEF-01 For example: HG-WPH277-40APP240SPEM-01

A	B	C	D	E	F	x	y	z
LED manufactory and CRI index	Diffuser material	CCT	Surge protector	Photocell sensor	Emergency style	Input voltage	Rated power	Driver code
A-Z	P-PC S-Glass;	40-4000K 50-5000K	S-surge protector provided Blank-No surge protector	P-photocell sensor provided Blank-no photocell sensor provided	EM-emergency driver provided Blank-no emergency driver	277-120-277Vac 347-120-347Vac 480-277-480Vac	40 55 62 80 90 100 120	P2-WP P3-SS P4-FHD

LED WALL PACK (First Gen.)

Product Details

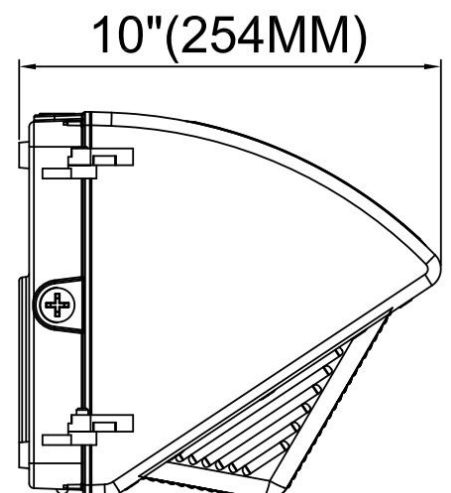
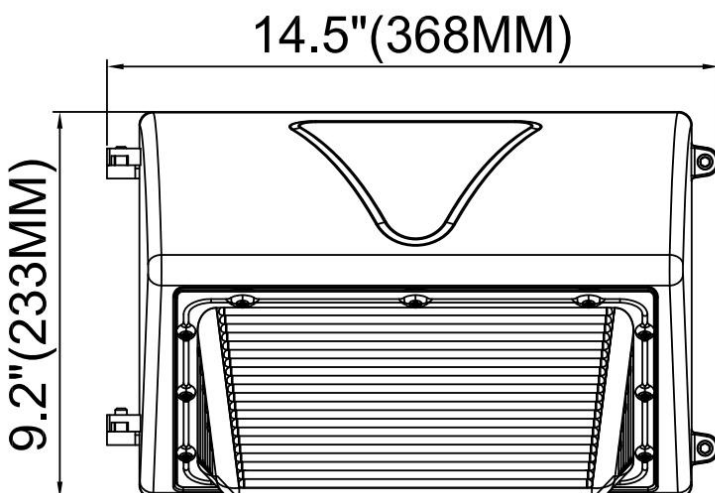


Heat-sink/shell

Overall Dimension:

Housing Material: Die-cast aluminum alloy

Color: Black/White/Brown/Yellow and OEM



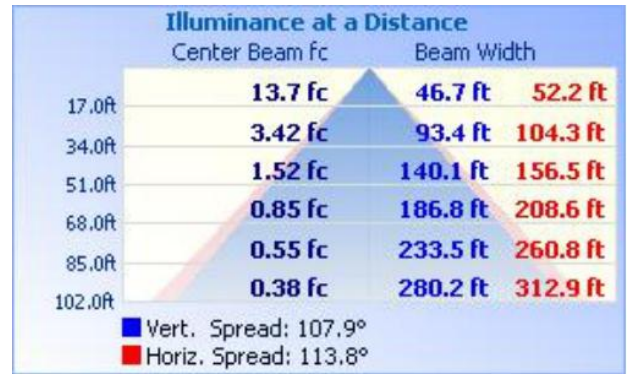
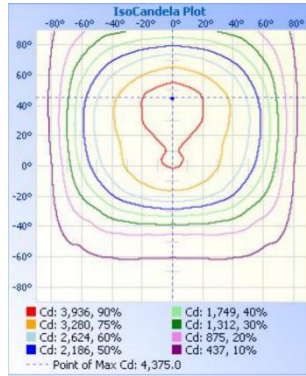
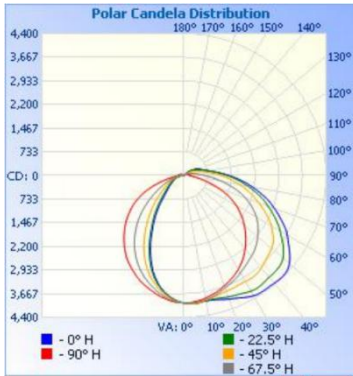
LED WALL PACK (First Gen.)

Lens and Optics Graphic

Lens Material: PC/ glass

Optics Style: 110°

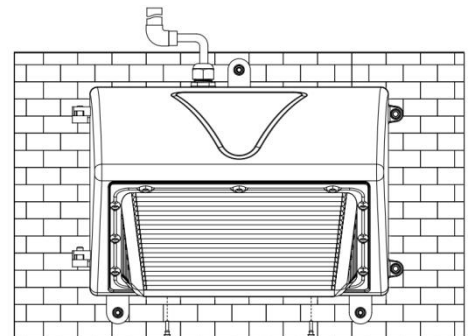
【90°】



Installation Bracket and Graphic



x 3



Accessory(optional)



Surge protector



Photocell sensor

LED WALL PACK (First Gen.)

Packing details



Power (W)	Lens Material	N.W (KG±0.2)	G.W (KG±0.2)	QTY/CTN	Outer Carton Dimension (mm/inch)
40	PC	3.4	4.5	1PCS	415*285*310mm 16.3*11.2*12.2inch
	Glass	4.1	5.2		
55	PC	3.4	4.5		
	Glass	4.1	5.2		
62	PC	3.5	4.6		
	Glass	4.2	5.3		
80	PC	3.6	4.7		
	Glass	4.3	5.4		
90	PC	3.6	4.7		
	Glass	4.3	5.4		
100	PC	4.0	5.1		
	Glass	4.7	5.8		
120	PC	4.2	5.3		
	Glass	4.9	6.0		

LED WALL PACK (First Gen.)

Product Application

Indoor | outdoor | workshop | warehouse | waiting room | plateform | stadium |

