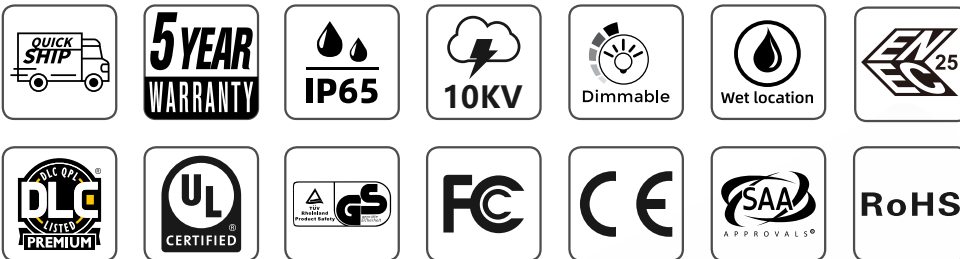


LED SHOEBOX / AREA LIGHT SL4

Ultra-high efficiency
up to 150 lm/W



Note: Not all of the products indicated in this specification are DLC premium qualified, please refer to <https://www.designlights.org/searcher> for more details.

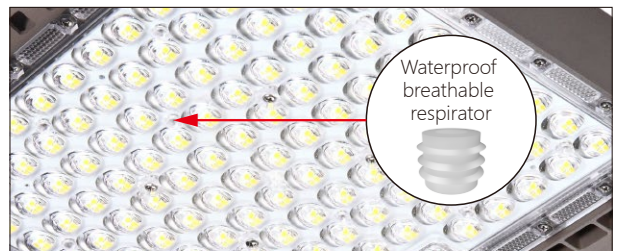
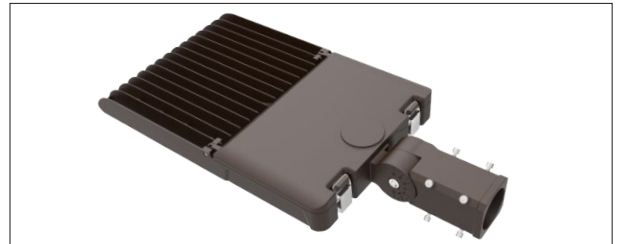
60W-300W



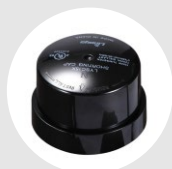
UFO LIGHTING INC
E-mail: info@ufo-lighting.com Web: www.ufo-lighting.com
Add: 500 Harrington Street Suite B Corona CA 92880, USA

LED area light is a device which consists of aluminum alloy frame, LED light source model and driver. It can be a replacement of HID and other traditional light fixture, provided with higher efficacy, a longer lifetime 50,000H at least or even more up to 100,000H and very low breakdown opportunity, higher reliability and better cost than any light before.

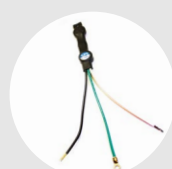
The high-performance, IP65-rated luminaire delivers a minimum of 150 lm/W, providing significant energy savings while remaining durable in the field.



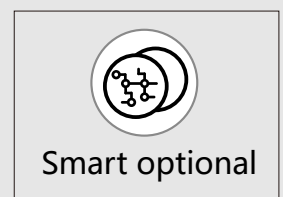
Photocell sensor



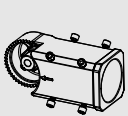
Shorting cap



Surge protector

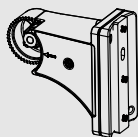


Smart optional



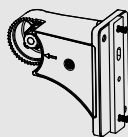
A

Slip fitter mount



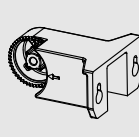
C

Round Pole Arm



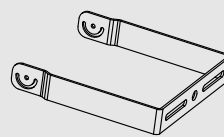
D

Square Pole Arm



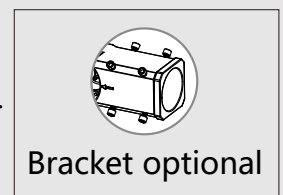
E

Yoke



F

U-Bracket



Bracket optional



Features

- European and American design style, high quality aluminum die casting, DUPONT powder painting process, round shape design, never fade, anti-cracking.
- Adopt aerodynamic design, take heat away quickly, keep low temperature for heat sink and LED chip for longer lifespan and higher light efficiency.
- A variety of installation ways, suitable for round pole, square pole, wall, ground and so on. All the screws are SUS316 stainless steel screws with stronger corrosion resistance ability.
- SMD3030 led chip, high CRI, light efficiency up to 150 lm/W, low light decay and long lifespan.
- SOSEN high efficiency series 10KV anti-surge LED driver, installed on die casting cover of led driver, take heat away quickly to keep lower temperature and longer lifespan.
- Use waterproof connector can prevent wire drag, and Waterproof more reliable.
- Through various of experimental tests: wind resistance level test, conduction radiation, 1.5G seismic test, UV aging test, drop, stacking test etc.

Application:

Outdoor roadway mainly
large industrial area, parking field, sidewalks
IP65,wet location
Working temperature:-40°C to +50°C

Electronic data

Input voltage:100-277Vac, 277-480Vac
10KV surge protection
PF>90% and THD<10% (full loading)
Free of flickering

Smart function

Dimming function with 3 in1(continual dimming)
Optional for motion sensor and photocell controller

Optics:

CCT:2700-6500K
CRI:Ra70
Light efficacy: up to 150 lm/W
Beam angle :Type3/Type4/Type5

Others:

Pole and wall mounting
Shell materials: Aluminum die casting & PC
Finishing: Brown/White/Black/Customization
5 years warranty

Application case

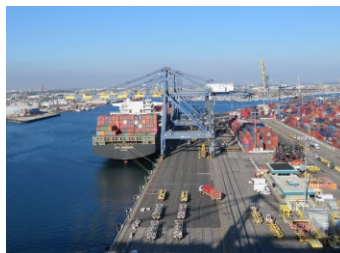
LED Shoebox / Area Light can be widely used in Parking lot. Urban roads. Industrial areas. Residential areas. Sidewalks. Schools. Gardens and etc



Inner Mongolia Hailar Airport



Parking area of Ford 4s in USA



Los Angeles Port project - USA



Denver tennis court, Colorado - USA



Technical Parameters

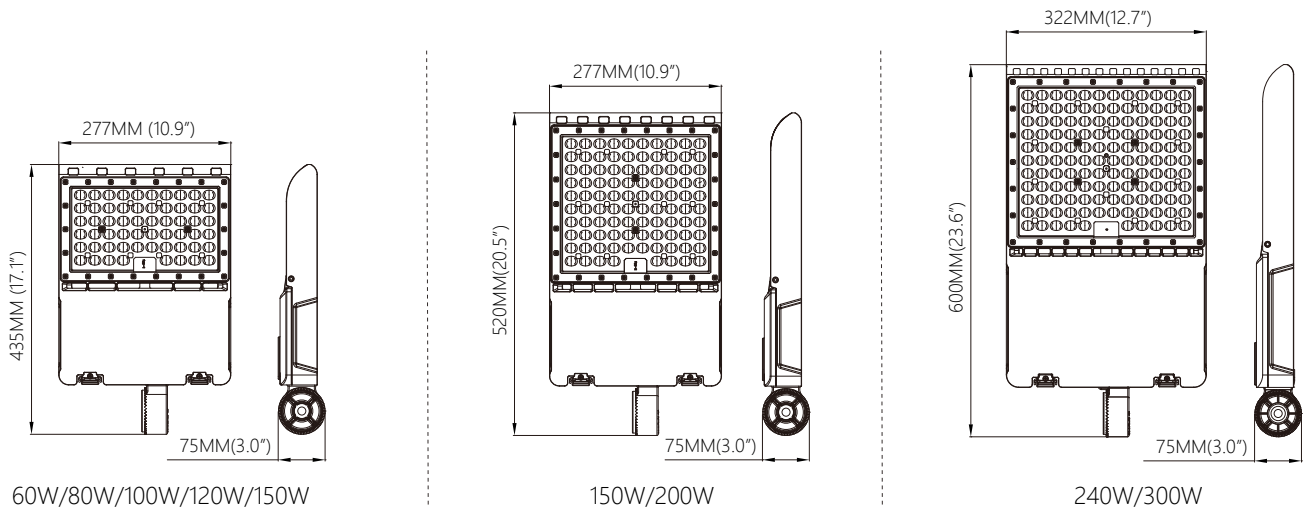
DATA SHEET												
Model	Typical Wattage (W)	Input voltage (V)	Luminous (Lumen)	Efficacy (lm/W)	Dimmable	Typical CCT (K)	CRI	Beam Angle	LED Chip	PF	IP Rate	Dimension (Bracket not included) (L*W*H)
HG-SL-60WBCD-EFGH-S4JKL-MN	60W	AC100 - 277V AC277 - 480V	9000 lm	150 lm/W	0-10V	2700K / 3000K / 4000K / 5000K / 5700K / 6500K	Ra70	TYPE3 / TYPE4 / TYPE5	3030	>0.95	IP65	435x277x75 MM 17.1x10.9x3.0 INCH
HG-SL-80WBCD-EFGH-S4JKL-MN	80W		12000 lm									
HG-SL-100WBCD-EFGH-S4JKL-MN	100W		15000 lm									
HG-SL-120WBCD-EFGH-S4JKL-MN	120W		18000 lm									
HG-SL-150WBCD-EFGH-S4JKL-MN	150W (Small)		22500 lm									520x277x75 MM 20.5x10.9x3.0 INCH
HG-SL-150WBCD-EFGH-M4JKL-MN	150W (Medium)		22500 lm									
HG-SL-200WBCD-EFGH-M4JKL-MN	200W		30000 lm									
HG-SL-240WBCD-EFGH-L4JKL-MN	240W		36000 lm									
HG-SL-300WBCD-EFGH-L4JKL-MN	300W		45000 lm									

Model Nomenclature

Electronic chart.				Optical chart.				Structure				Smart function	
A	B	C	D	E	F	G	H	I	J	K	L	M	N
Rated power	Input voltage	Driver brand	Dimming	CCT	CRI	LED CHIP	Beam Angle	Dimension	Color	Installation	Lens	Surge Protector	Sensor
60W 80W 100W 120W 150W 200W 240W 300W	L-100~277V H-277~480V	Blank 1-SOSEN 2-MEANWELL 5-FAHOLD	Blank-No dimmable D-Dimmable	27K-2700K 30K-3000K 40K-4000K 50K-5000K 57K-5700K 60K-6000K 65K-6500K	70-Ra70 80-Ra80	1 Seoul3030 2 Tongyifang3030 3 Osram3030	T1-TYPE 1 T2-TYPE 2 T3-TYPE 3 T4-TYPE 4 T5-TYPE 5	S4 M4 L4	BK-Black BR-Brown WH-White	Blank-Non- bracket A-Bracket A C-Bracket C D-Bracket D E-Bracket E F-Bracket F	Blank-PC G-Glass	Blank-No surge protector SP-Surge protector	Blank-Sensorless L-Photocell M-Motion sensor S-Photocell+motion sensor

Model: HG-SL-ABCD-EFGH-IJKL-MN, For example: HG-SL-150WL2D-50K701T3-S4BKA

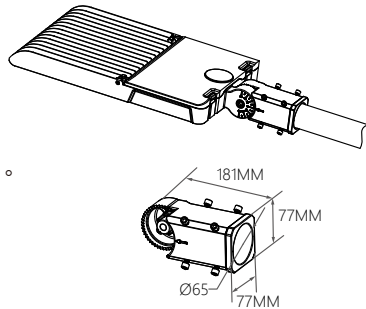
Dimension



The Installation diagram

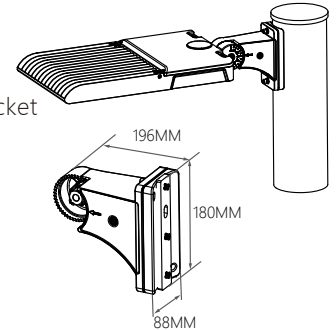
Bracket A

Slip Fitter mount bracket
Application: Round Pole
Adjustable range: $-90^{\circ} \sim +90^{\circ}$
Division: 8°



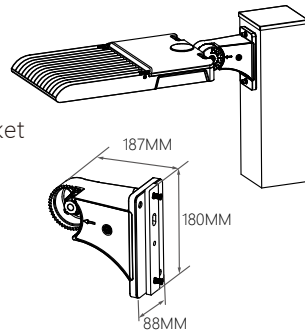
Bracket C

Adjustable Round Pole Arm bracket
Application: Round Pole
Adjustable range: $-90^{\circ} \sim +90^{\circ}$
Division: 8°



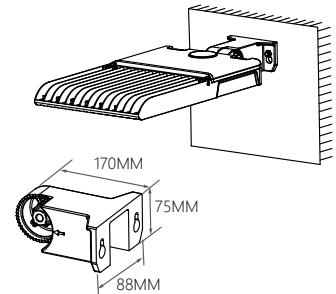
Bracket D

Adjustable Square Pole Arm bracket
Application: Square Pole
Adjustable range: $-90^{\circ} \sim +90^{\circ}$
Division: 8°



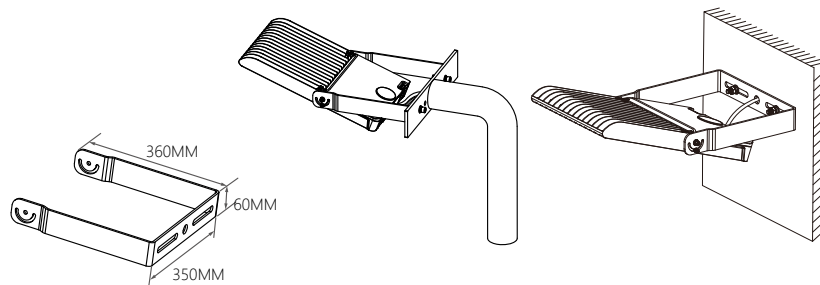
Bracket E

YOKE bracket
Application: Wall mount
Adjustable range: $-90^{\circ} \sim +90^{\circ}$
Division: 8°



Bracket F

U-bracket
Application: Wall/Pole
Adjustable range: $-90^{\circ} \sim +90^{\circ}$
Division: Continuous



Notice For User

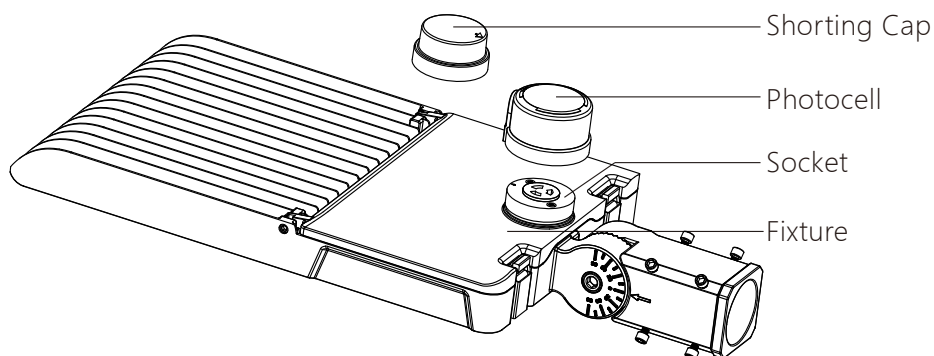
1. Read the installation instructions before install the luminaire.
2. The input voltage and lamps should be matched, after connecting the power line, please make sure the wiring section is insulated.
3. No-professionals, must not install and disassemble the lamps.



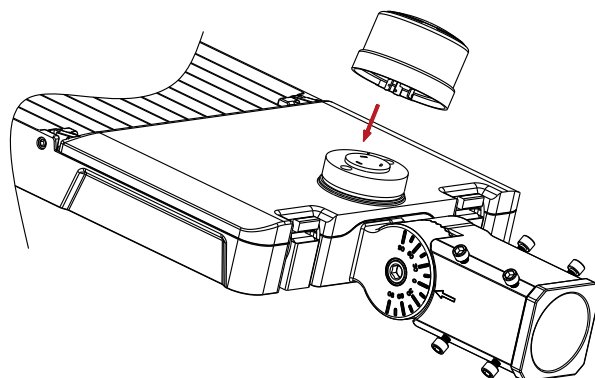
Option installation

Instructions for Photocell

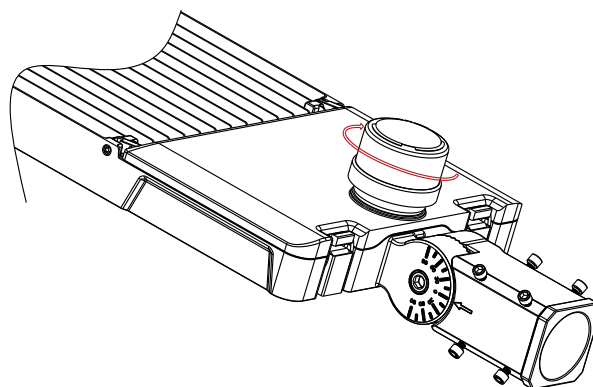
When the photocell function is required, photocell should be installed on the back of fixture;
When it's not required, shorting cap should be installed on the back of fixture.



Step1
Shorting cap or photocell is matched to the base holes.



Step2
Turn the shorting cap or photocell clockwise.

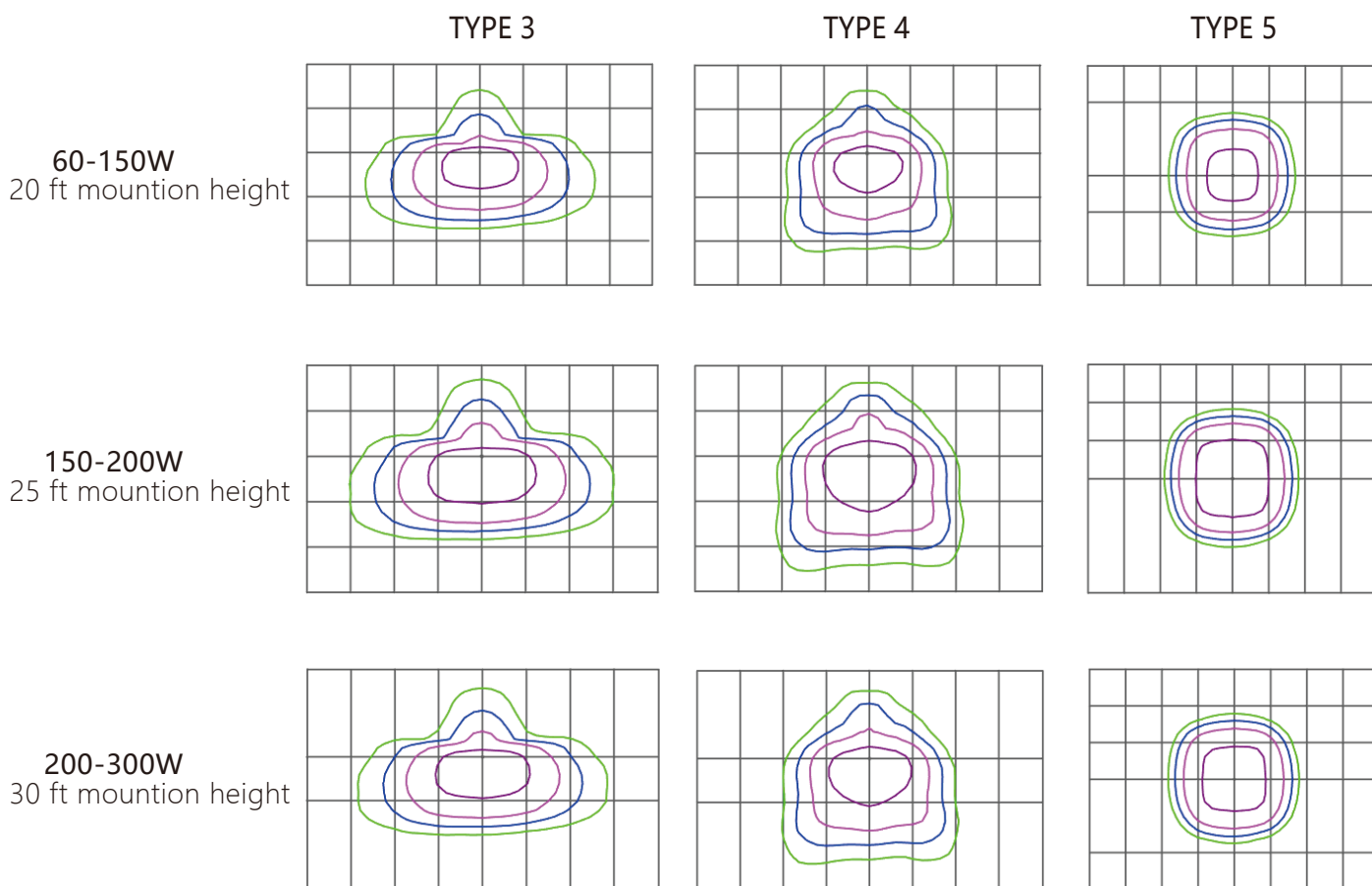


Optics

Tech.Support:

Tell us the room L,W and usage,we have an engineer team to respond the DIALUX for lights quantity and effects, IES files are available upon request.

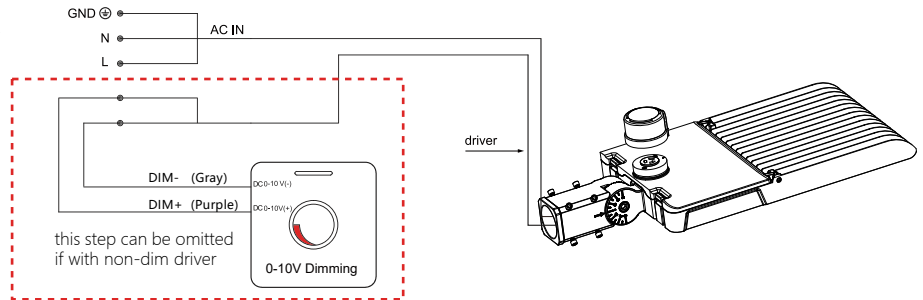
PHOTOMETRIC SPECIFICATIONS



Wiring diagram

Turn off the power, connect AC wire
Dimmer connection (With dimmable driver).

1. Compatible with 0-10v dimming
2. Connect wires as below, Purple wire is DIM+ , Gray wire is DIM-



Package



inner box



Carton

Type	Package					
Model	60W/80W/100W/120W/150W		150W/200W		240W/300W	
Packing	inner box	Carton	inner box	Carton	inner box	Carton
Packing QTY	1pcs/CTN	5pcs/CTN	1pcs/CTN	5pcs/CTN	1pcs/CTN	3pcs/CTN
CTN SIZE	470x307x108 MM 18.5x12.1x4.2 INCH	490x327x595 MM 19.3x12.9x23.4 INCH	554x307x108 MM 21.8x12.1x4.2 INCH	567x327x595 MM 22.3x12.9x23.4 INCH	630x352x107 MM 24.8x13.9x4.2 INCH	645x369x374 MM 25.4x14.5x14.7 INCH
N.W.	3.9KGS/8.6LBS	19.6KGS/43.1LBS	4.8KGS/10.6LBS	24.1KGS/53.2LBS	7.1KGS/15.6LBS	21.3KGS/46.9LBS
G.W.	4.5KGS/10LBS	23.4KGS/51.5LBS	5.4KGS/11.9LBS	28.5KGS/62.8LBS	7.9KGS/17.5LBS	24.8KGS/54.6LBS
20GP	1275CTN	255CTN	1095CTN	219CTN	813CTN	271CTN
40GP	2720CTN	544CTN	2250CTN	450CTN	1704CTN	568CTN
40HQ	3355CTN	671CTN	2885CTN	577CTN	2214CTN	738CTN

